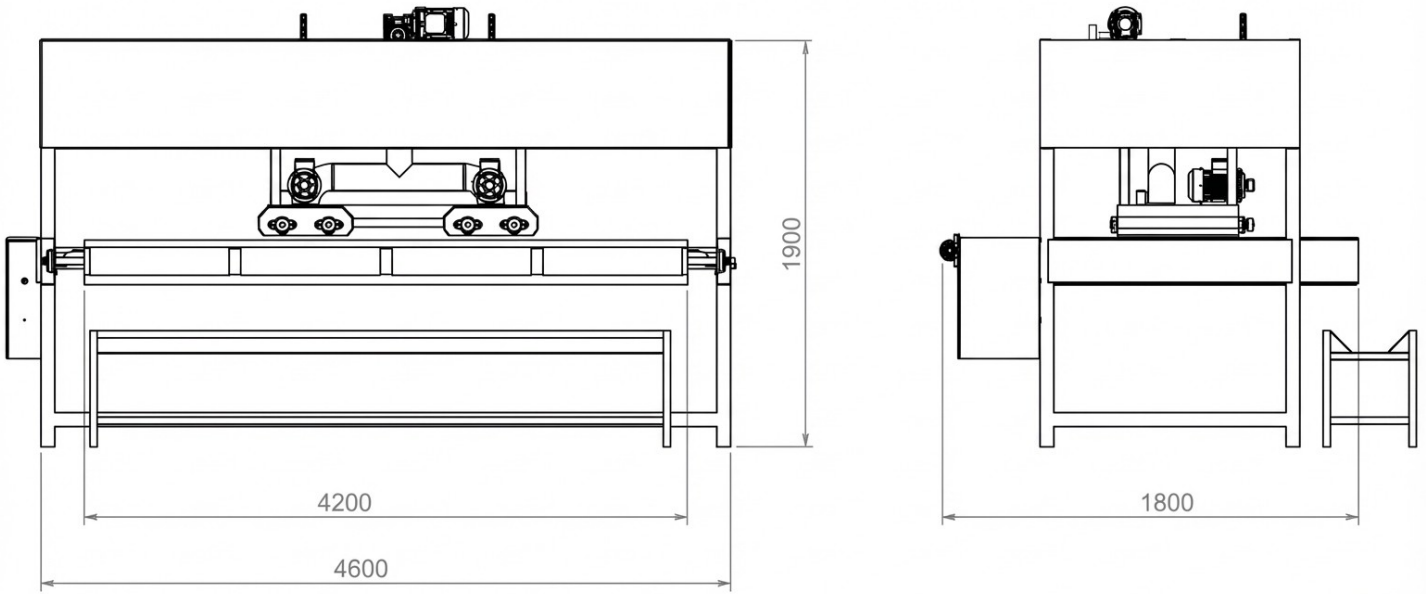


TECHNICAL SPECIFICATIONS

RWM 420 PACKAGING MACHINE



Parameter	Technical Specification
Machine Model	RWM 420 Carpet Packaging Machine
Maximum Carpet Width	420 cm
Length (Frontal)	460 cm
Width (Depth)	180 cm
Height	190 cm
Weight	1000 kg
Power Consumption	5 kW/h
Electric Power	3 Phase / 380 Volt / 50 Hz
Vacuum Capacity	6000 m3/h
Roller Brush	Available
Capacity	400 m2/hour
Carpet Rolling	Available
Bag Hanger	Available